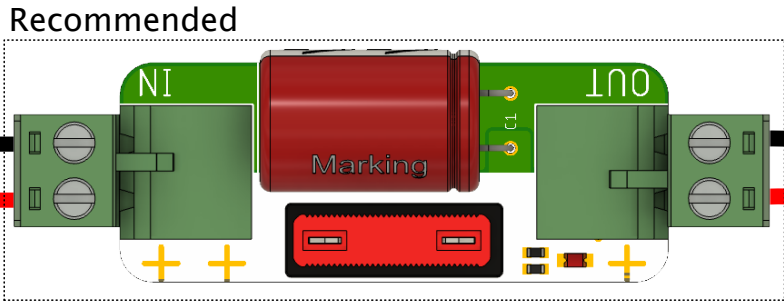
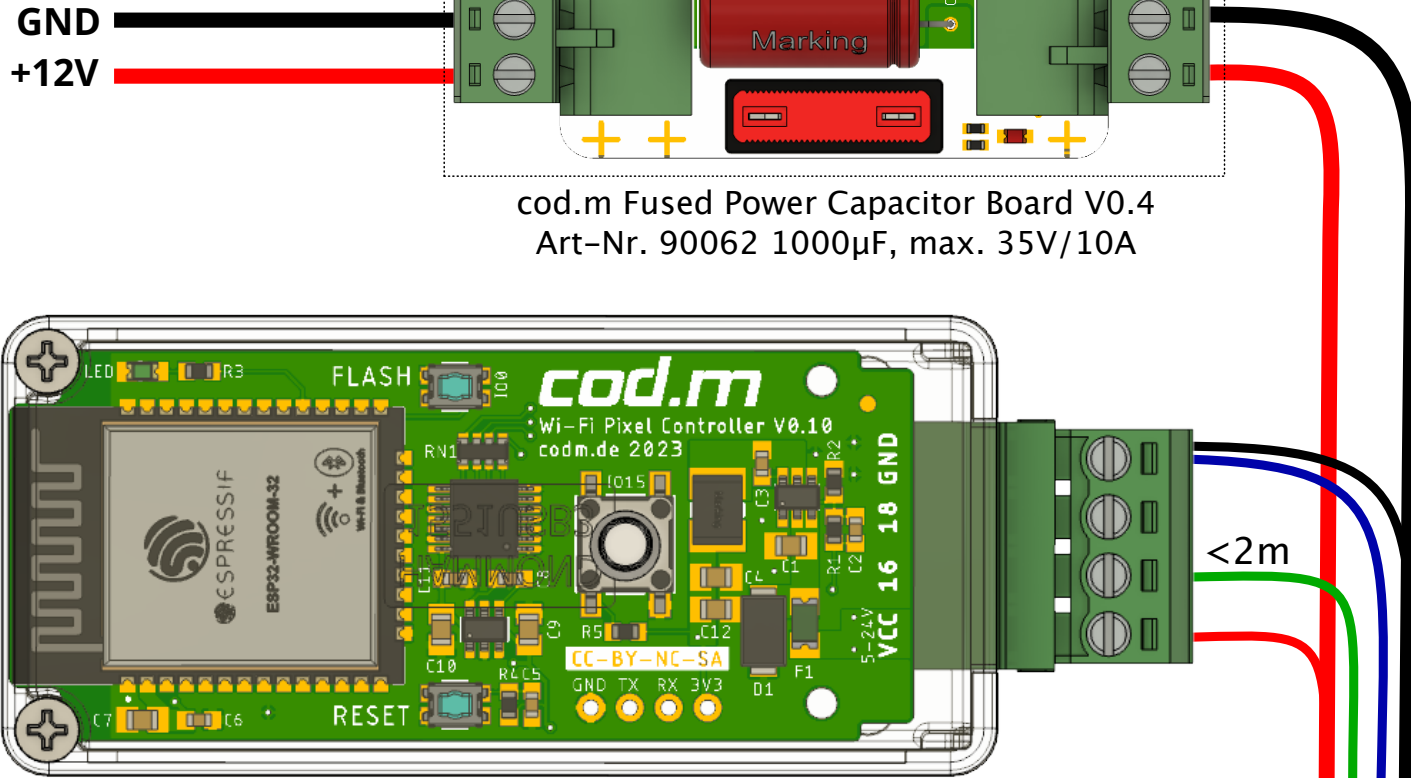
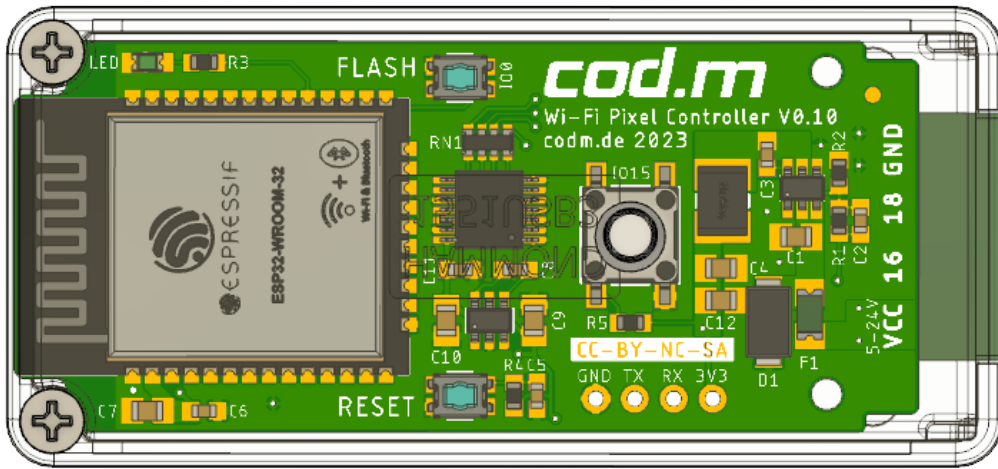


Wiring Scheme WLED Controller V0.10 WS2815 at 12V

Choose the Power Supply dependant on LED count.



cod.m Fused Power Capacitor Board V0.4
Art-Nr. 90062 1000 μ F, max. 35V/10A



cod.m WLED Controller V0.10 (WLAN/Wi-Fi), Art-Nr: 90060

At 60 LEDs/m@5V feed in power every 2.5m, at 60 LEDs/m@12V every 5m.
For every power connection we recommend the Fused Power Capacitor Board. Choose fuses accordingly.

